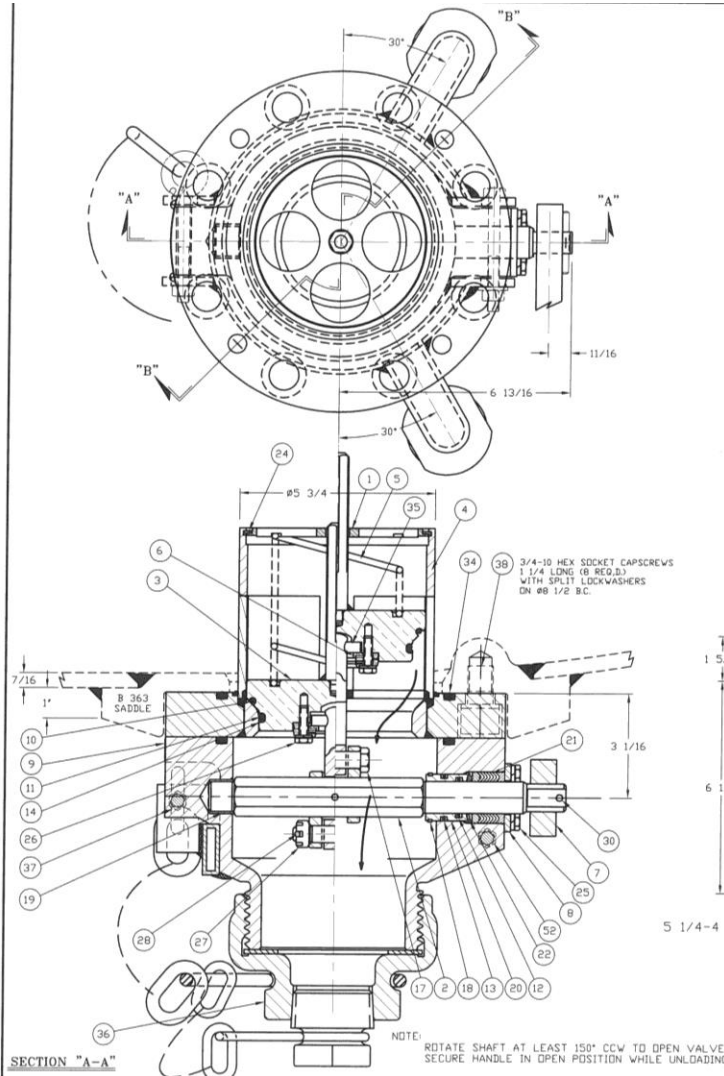


A-549-CS-SJ, A-549-SS-SJ, A-549-MO-SJ



ITEM NO.	QTY.	PART NAME	A-549-CS-SJ (STEEL/SS TRIM)		A-549-SS-SJ (TYPE 304 SS)		A-549-MO-SJ (TYPE 316 SS)	
			MATERIAL	PART NUMBER	MATERIAL	PART NUMBER	MATERIAL	PART NUMBER
1	1	TOP GUDGE	STEEL	549-1-CS	STAINLESS STEEL	549-1-SS	STAINLESS STEEL	549-1-MO
2	1	SHAFT	STAINLESS STEEL	545-2-SS	STAINLESS STEEL	545-2-SS	STAINLESS STEEL	545-2-SS
3	1	RETAINER ASSEMBLY	STAINLESS STEEL	549-3-SS	STAINLESS STEEL	549-3-SS	STAINLESS STEEL	549-3-MO
4	1	BODY	STEEL/SS SEAT	549-4-CS	STAINLESS STEEL	549-4-SS	STAINLESS STEEL	549-4-MO
5	1	SPRING	STAINLESS STEEL	545-5-SS	STAINLESS STEEL	545-5-SS	STAINLESS STEEL	545-5-MO
6	1	RETAINER COVER ASM	STAINLESS STEEL	549-6-SS	STAINLESS STEEL	549-6-SS	STAINLESS STEEL	549-6-SS
7	1	HANDLE	STEEL	549-7-CS	STEEL	549-7-CS	STEEL	549-7-CS
8	1	PACKING FLANGE	STEEL, PLATED	549-8-CS	STEEL, PLATED	549-8-CS	STEEL, PLATED	549-8-CS
9	1	NAMEPLATE	STAINLESS STEEL	549-9-SS	STAINLESS STEEL	549-9-SS	STAINLESS STEEL	549-9-SS
10	1	SEAT "O" RING	BUNA N *	545-10-BN	BUNA N *	545-10-BN	BUNA N *	545-10-BN
11	1	BORE "O" RING	BUNA N *	545-11-BN	BUNA N *	545-11-BN	BUNA N *	545-11-BN
12	1	SHAFT "O" RING	BUNA N *	545-12-BN	BUNA N *	545-12-BN	BUNA N *	545-12-BN
13	1	BUSHING "O" RING	BUNA N *	545-13-BN	BUNA N *	545-13-BN	BUNA N *	545-13-BN
14	1	WIPER RING	PTFE	545-14-TF	PTFE	545-14-TF	PTFE	545-14-TF
15	1	CAM LEVER	STAINLESS STEEL	549-15-SS	STAINLESS STEEL	549-15-SS	STAINLESS STEEL	549-15-SS
16	1	CAM	STAINLESS STEEL	545-16-SS	STAINLESS STEEL	545-16-SS	STAINLESS STEEL	545-16-SS
17	1	CAM BOLT	STAINLESS STEEL	545-17-N60	STAINLESS STEEL	545-17-N60	STAINLESS STEEL	545-17-N60
18	1	RETAINER RING	STAINLESS STEEL	545-18-MO	STAINLESS STEEL	545-18-MO	STAINLESS STEEL	545-18-MO
19	1	SHAFT BUSHING	STAINLESS STEEL	545-19-N60	STAINLESS STEEL	545-19-N60	STAINLESS STEEL	545-19-N60
20	1	PACKING BUSHING	STAINLESS STEEL	545-20-N60	STAINLESS STEEL	545-20-N60	STAINLESS STEEL	545-20-N60
21	1	PACKING SET	PTFE	549-21-TF	PTFE	549-21-TF	PTFE	549-21-TF
22	1	PACKING SPRING	STAINLESS STEEL	549-22-SS	STAINLESS STEEL	549-22-SS	STAINLESS STEEL	549-22-SS
23								
24	1	RETAINER RING	STAINLESS STEEL	549-24-SS	STAINLESS STEEL	549-24-SS	STAINLESS STEEL	549-24-MO
25	4	PACKING BOLT	STAINLESS STEEL	545-25-SS	STAINLESS STEEL	545-25-SS	STAINLESS STEEL	545-25-MO
26	4	PACKING LOCK	STAINLESS STEEL	545-26-MO	STAINLESS STEEL	545-26-MO	STAINLESS STEEL	545-26-MO
27	4	RETAINER BOLT	STAINLESS STEEL	545-27-SS	STAINLESS STEEL	545-27-SS	STAINLESS STEEL	545-27-MO
28	4	RETAINER LOCK	STAINLESS STEEL	545-28-MO	STAINLESS STEEL	545-28-MO	STAINLESS STEEL	545-28-MO
29	1	CAM STEM NUT	STEEL, PLATED	720-20-CS	STAINLESS STEEL	724-20-SS	STAINLESS STEEL	724-20-SS
30	1	CAM STEM PIN	STAINLESS STEEL	545-28-SS	STAINLESS STEEL	545-28-SS	STAINLESS STEEL	545-28-MO
31	1	CAM PIN	STAINLESS STEEL	545-29-MO	STAINLESS STEEL	545-29-MO	STAINLESS STEEL	545-29-MO
32	1	HANDLE PIN	STAINLESS STEEL	545-30-SS	STAINLESS STEEL	545-30-SS	STAINLESS STEEL	545-30-SS
33	1	BASE	DUCTILE IRON	549-31-D	STAINLESS STEEL	549-31-SS	STAINLESS STEEL	549-31-MO
34	4	BASE BOLT	STEEL	547-32-1-CS	STEEL	547-32-1-CS	STEEL	547-32-1-CS
35	4	BASE LOCK	STEEL	547-32-2-CS	STEEL	547-32-2-CS	STEEL	547-32-2-CS
36	2	BASE "O" RING	BUNA N *	547-33-BN	BUNA N *	547-33-BN	BUNA N *	547-33-BN
37	1	PIN	STAINLESS STEEL	549-35-N60	STAINLESS STEEL	549-35-N60	STAINLESS STEEL	549-35-N60
38	1	CAP ASSEMBLY	DUCTILE IRON	55-D	STAINLESS STEEL	55-MO	STAINLESS STEEL	55-MO
39	1	EYEBOLT, NUT, LOCK	STEEL	549-37-CS	STEEL	549-37-CS	STEEL	549-37-CS
40	8	BODY BOLT	STEEL, PLATED	363-22-AS	STEEL, PLATED	363-22-AS	STEEL, PLATED	363-22-AS
41	8	LOCKWASHER	STEEL, PLATED	363-21-AS	STEEL, PLATED	363-21-AS	STEEL, PLATED	363-21-AS
42	1	STEAM JACKET ASM	STEEL	549-50-CS	STEEL	549-50-CS	STEEL	549-50-CS
43	1	HEAT TRANSFER CEMENT	CEMENT	549-51	CEMENT	549-51	CEMENT	549-51
44	1	HEX HEAD CAP SCREW	STEEL	549-52-3-CS	STEEL	549-52-3-CS	STEEL	549-52-3-CS
45	2	FLAT WASHER	STEEL	549-52-4-CS	STEEL	549-52-4-CS	STEEL	549-52-4-CS
46	1	HEX NUT	STEEL	549-52-5-CS	STEEL	549-52-5-CS	STEEL	549-52-5-CS

