

A

B

C

D

THIS DRAWING IS NOT TO BE SCALED. FOR ADDITIONAL INFORMATION. PLEASE CONTACT OUR ENGINEERING DEPT.

REVISIONS

LTR	ECN #	DESCRIPTION	DRAWN	APPROVED	DATE
REL	-	-	JPR		10-31-03

1

1

2

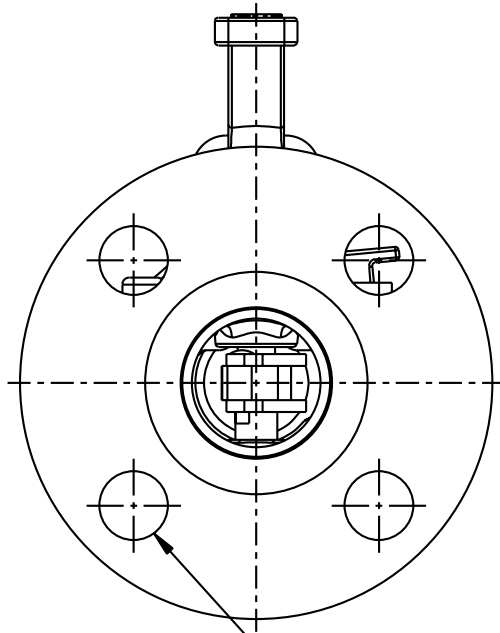
2

3

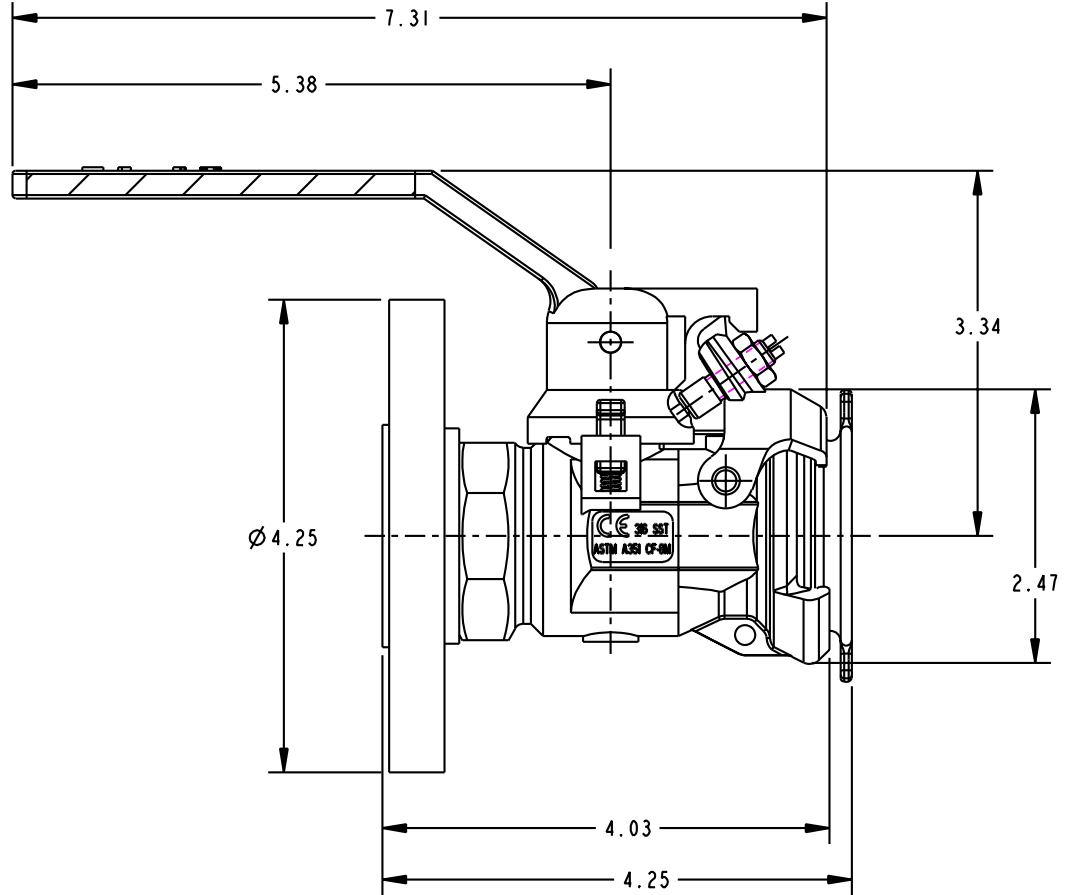
3

4

4



(4) Ø0.62 HOLES THRU EQUALLY SPACED ON A Ø3.125 B.C. STRADDLING CL AS SHOWN.



CONFIDENTIAL THIS DOCUMENT CONTAINS INFORMATION WHICH IS PROPRIETARY TO OPW, AND SHOULD BE PROTECTED ACCORDINGLY.

DESCRIPTION: 1" DRYLOK COUPLER W/ 150# FLG

UNLESS OTHERWISE SPECIFIED  
 TOLERANCES ON DIMENSIONS  
 3 DECIMALS +/- 0.005  
 2 DECIMALS +/- 0.015  
 1 DECIMAL +/- 0.030  
 ANGLES +/- 1/2 DEG  
 MACHINED SURFACES 125 RMS MAX

SIGNATURES	MO-DA-YR
DRAWN: JPR	10-31-03
CHECKED: -	-
MATERIAL: 316 SST	WEIGHT: -

REV: REL  
 SIZE: C

PART NUMBER: 5770-710A  
 SCALE: 0.88 SHEET 1 OF 1

OPW *Engineered Systems*  
 A DOVER Resources Company  
 Lebanon, Ohio 45036 USA

3D GENERATED DRAWING

A

B

C

D