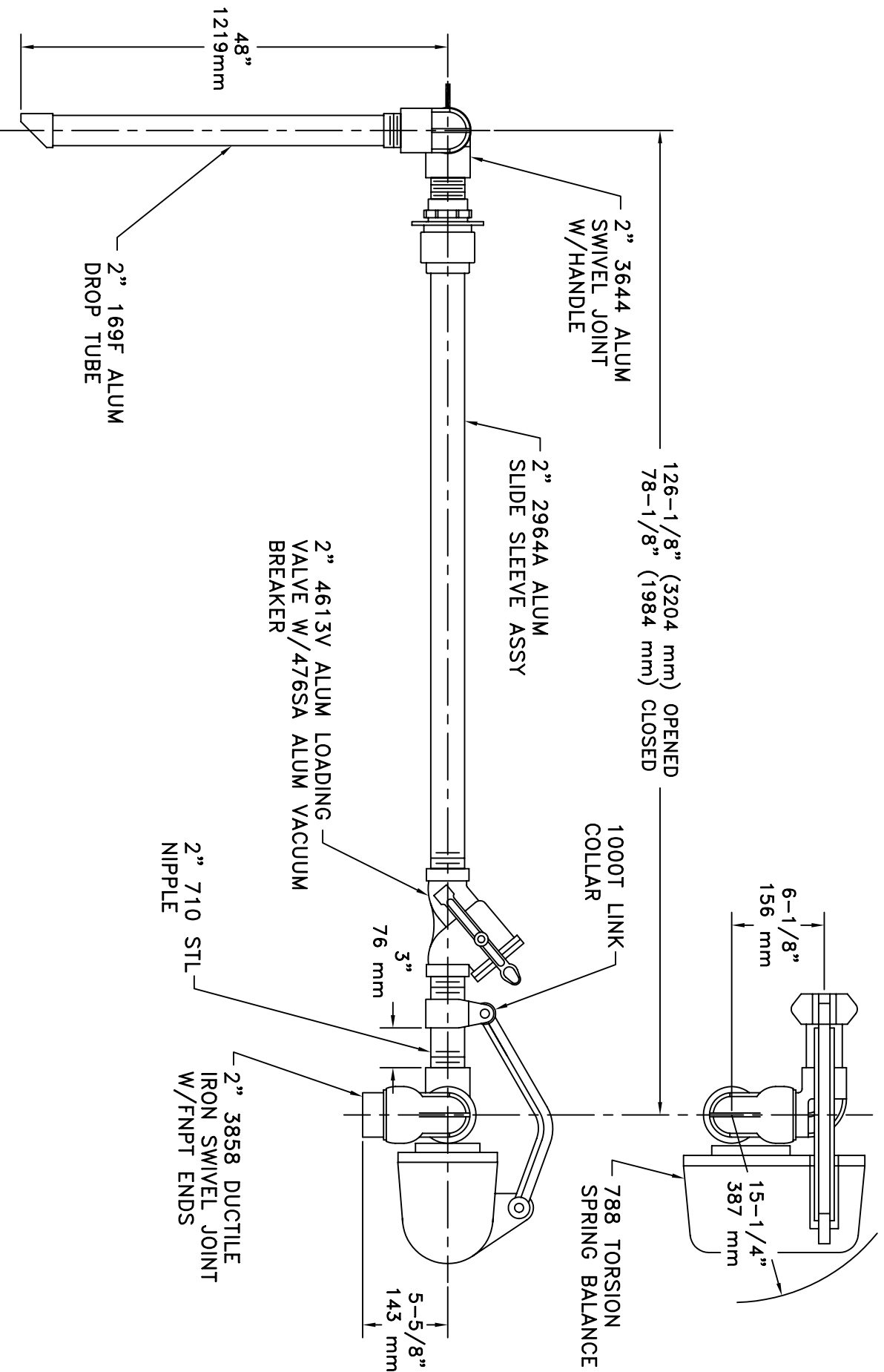


MATERIAL:
DUCTILE IRON / ALUMINUM
VITON

OPW Engineered Systems

2" OPW A32 LIQUID LOADER



ARM IS DESIGNED FOR PRODUCT RETENTION TO POINT OF VALVE